



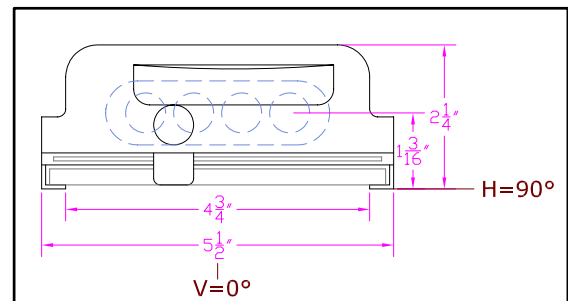
**IES INDOOR REPORT  
PHOTOMETRIC FILENAME : LLI040707D.IES**

**DESCRIPTION INFORMATION (From Photometric File)**

IESNA:LM-63-2002  
[TEST] LLI 0407-07D  
[TESTLAB] LIGHT LABORATORY INC  
[ISSUEDATE] 4/24/2007  
[MANUFAC] KINO FLO, INC.  
[LUMCAT] BARFLY 100 w/ Honeycomb Louver 45°  
[LUMINAIRE] 16"L. X 5.5"W. X 2.5"H. STUDIO FIXTURE  
[MORE] WHITE PAINTED REFLECTOR  
[MORE] 45 DEGREE SPOT HEXCEL LOUVERS  
[BALLASTCAT] KINOFLO BAL-107-120  
[BALLAST] 120V 50/60Hz ELECTRONIC  
[LAMPPOSITION] 180,90  
[LAMPCAT] KINO FLO TRUE MATCH 55Q-K29  
[OTHER] INDICATING THE CANDELA VALUES ARE ABSOLUTE AND  
[MORE] SHOULD NOT BE FACTORED FOR DIFFERENT LAMP RATINGS.  
[\_LAMPLUM] 2720  
[\_INPUT] 120VAC, 62.66W

**CHARACTERISTICS**

Total Rated Lamp Lumens	N.A. (absolute photometry)
Total Luminaire Efficiency	N.A.
CIE Type	Direct
Spacing Criteria (0-180)	0.42
Spacing Criteria (90-270)	0.50
Spacing Criteria (Diagonal)	0.52
Basic Luminous Shape	Rectangular
Luminous Length (0-180)	1.15 ft
Luminous Width (90-270)	0.40 ft
Luminous Height	0.00 ft



**LUMINANCE DATA (cd/sq.m)**

Angle In Degrees	Average 0-Deg	Average 45-Deg	Average 90-Deg
45	165	198	99
55	82	82	41
65	55	55	0
75	90	0	0
85	536	0	0

IES INDOOR REPORT  
PHOTOMETRIC FILENAME : LLI040707D.IES

CANDELA TABULATION

	<u>0</u>	<u>22.5</u>	<u>45</u>	<u>67.5</u>	<u>90</u>
<b>0</b>	562	562	562	562	562
<b>5</b>	454	462	479	484	486
<b>15</b>	225	233	263	280	280
<b>25</b>	52	55	58	80	95
<b>35</b>	19	21	21	15	10
<b>45</b>	5	6	6	4	3
<b>55</b>	2	2	2	1	1
<b>65</b>	1	1	1	1	0
<b>75</b>	1	1	0	0	0
<b>85</b>	2	1	0	0	0
<b>90</b>	0	0	0	0	0

**IES INDOOR REPORT**  
**PHOTOMETRIC FILENAME : LLI040707D.IES**

**ZONAL LUMEN SUMMARY**

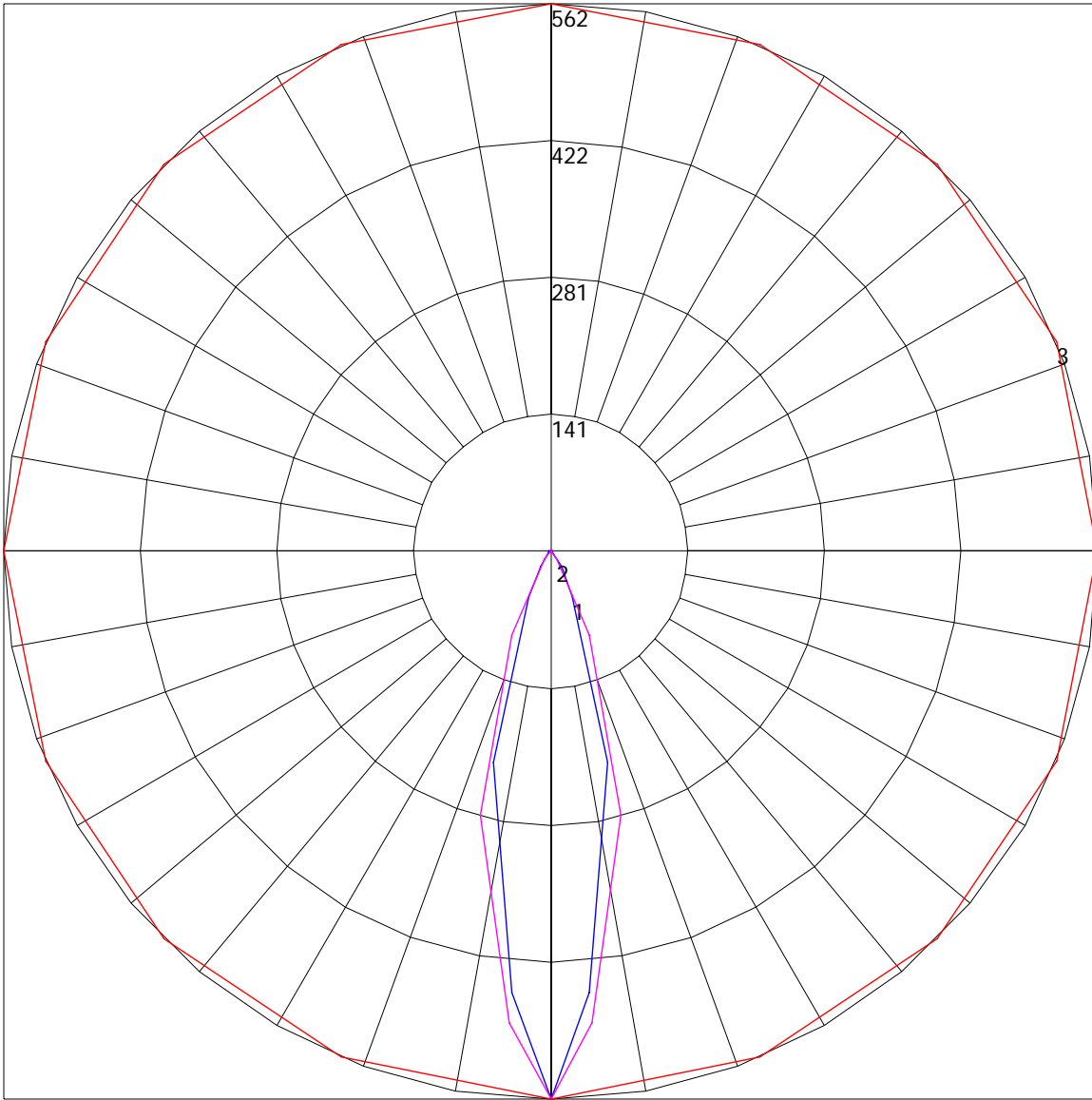
Zone	Lumens	%Lamp	%Fixt
0-30	142.52	N.A.	79.7
0-40	165.66	N.A.	92.6
0-60	176.49	N.A.	98.6
0-90	178.93	N.A.	100
90-120	0	N.A.	0
90-130	0	N.A.	0
90-150	0	N.A.	0
90-180	0	N.A.	0
0-180	178.93	N.A.	100

Total Luminaire Efficiency = N.A.%

**ZONAL LUMEN SUMMARY**

Zone	Lumens
0-10	12.38
10-20	69.5
20-30	60.64
30-40	23.14
40-50	8.05
50-60	2.78
60-70	1.19
70-80	.64
80-90	.61
90-100	0
100-110	0
110-120	0
120-130	0
130-140	0
140-150	0
150-160	0
160-170	0
170-180	0

POLAR GRAPH



Maximum Candela = 562 Located At Horizontal Angle = 0, Vertical Angle = 0  
# 1 - Vertical Plane Through Horizontal Angles (0 - 180) (Through Max. Cd.) : BLUE  
# 2 - Vertical Plane Through Horizontal Angles (90 - 270) : MAGENTA  
# 3 - Horizontal Cone Through Vertical Angle (0) (Through Max. Cd.) : RED