



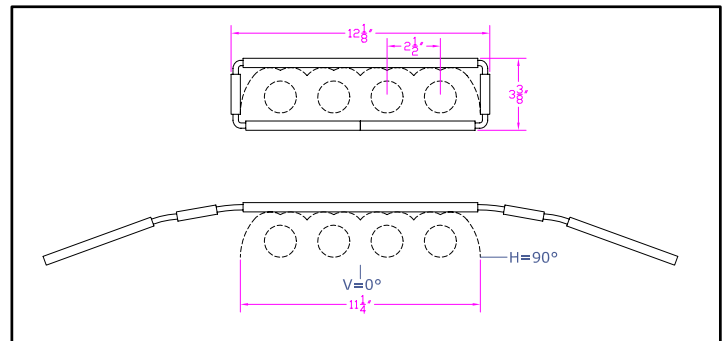
**IES INDOOR REPORT  
PHOTOMETRIC FILENAME : LLI070702E.IES**

**DESCRIPTION INFORMATION (From Photometric File)**

IESNA:LM-63-2002  
[TEST] LLI 0707-02E  
[TESTLAB] LIGHT LABORATORY INC  
[ISSUEDATE] 7/13/2007  
[MANUFAC] KINO FLO, INC.  
[LUMCAT] 4FT FOTO-FLO 400/OPEN FACE  
[LUMINAIRE] 52"L. X 13"W. X 3.5"H. STUDIO FIXTURE  
[MORE] SPECULAR REFLECTOR  
[BALLASTCAT] KINOFLO BAL-422-F120  
[BALLAST] 120V 50/60Hz ELECTRONIC  
[LAMPPOSITION] 0,90  
[LAMPCAT] KINO FLO F75/T12/HO/800  
[OTHER] INDICATING THE CANDELA VALUES ARE ABSOLUTE AND  
[MORE] SHOULD NOT BE FACTORED FOR DIFFERENT LAMP RATINGS.  
[\_LAMPLUM] 3290  
[\_INPUT] 120VAC, 307.3W

**CHARACTERISTICS**

Total Rated Lamp Lumens	N.A. (absolute photometry)
Total Luminaire Efficiency	N.A.
CIE Type	Direct
Spacing Criteria (0-180)	1.32
Spacing Criteria (90-270)	1.30
Spacing Criteria (Diagonal)	1.42
Basic Luminous Shape	Rectangular
Luminous Length (0-180)	3.85 ft
Luminous Width (90-270)	0.94 ft
Luminous Height	0.00 ft



**LUMINANCE DATA (cd/sq.m)**

Angle In Degrees	Average 0-Deg	Average 45-Deg	Average 90-Deg
45	8451	8678	8837
55	7859	8745	8781
65	6778	8501	8311
75	4983	7497	7405
85	2728	5966	6069

IES INDOOR REPORT  
PHOTOMETRIC FILENAME : LLI070702E.IES

CANDELA TABULATION

	<u>0</u>	<u>22.5</u>	<u>45</u>	<u>67.5</u>	<u>90</u>
<b>0</b>	2898	2898	2898	2898	2898
<b>5</b>	3071	3053	2954	2837	2790
<b>15</b>	2967	2961	2878	2771	2728
<b>25</b>	2734	2726	2669	2591	2559
<b>35</b>	2417	2405	2365	2378	2391
<b>45</b>	2011	1994	2065	2105	2103
<b>55</b>	1517	1526	1688	1700	1695
<b>65</b>	964	1082	1209	1197	1182
<b>75</b>	434	604	653	646	645
<b>85</b>	80	158	175	180	178
<b>90</b>	24	30	17	12	12

**IES INDOOR REPORT**  
**PHOTOMETRIC FILENAME : LLI070702E.IES**

**ZONAL LUMEN SUMMARY**

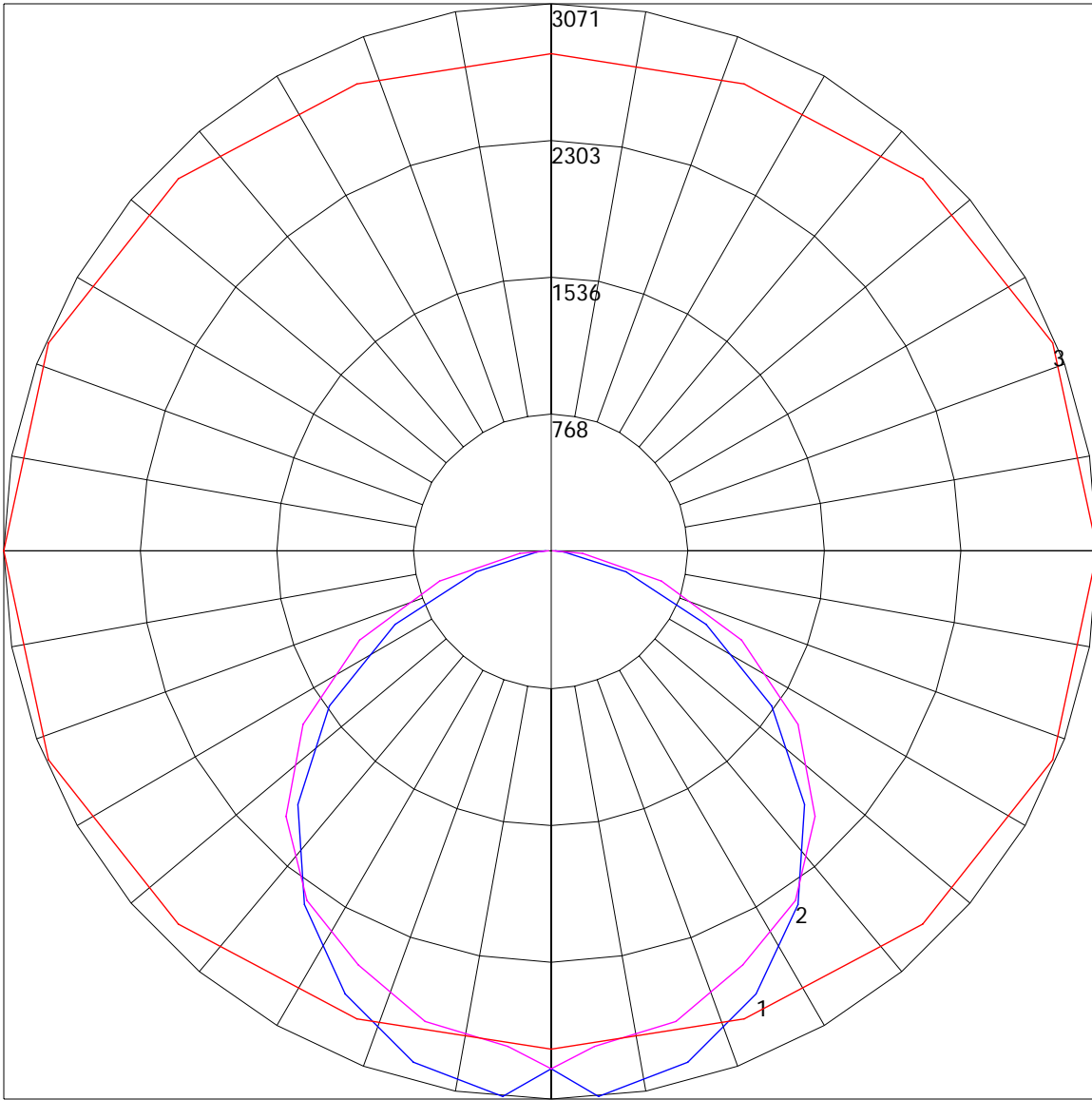
Zone	Lumens	%Lamp	%Fixt
0-30	1656.47	N.A.	18.8
0-40	3038.14	N.A.	34.4
0-60	6148.12	N.A.	69.6
0-90	8827.98	N.A.	100
90-120	0	N.A.	0
90-130	0	N.A.	0
90-150	0	N.A.	0
90-180	0	N.A.	0
0-180	8827.98	N.A.	100

Total Luminaire Efficiency = N.A.%

**ZONAL LUMEN SUMMARY**

Zone	Lumens
0-10	69.83
10-20	552.3
20-30	1034.34
30-40	1381.67
40-50	1564.03
50-60	1545.95
60-70	1313.79
70-80	900.98
80-90	465.08
90-100	0
100-110	0
110-120	0
120-130	0
130-140	0
140-150	0
150-160	0
160-170	0
170-180	0

POLAR GRAPH



Maximum Candela = 3071 Located At Horizontal Angle = 0, Vertical Angle = 5  
# 1 - Vertical Plane Through Horizontal Angles (0 - 180) (Through Max. Cd.) : BLUE  
# 2 - Vertical Plane Through Horizontal Angles (90 - 270) : MAGENTA  
# 3 - Horizontal Cone Through Vertical Angle (5) (Through Max. Cd.) : RED