



**IES INDOOR REPORT
PHOTOMETRIC FILENAME : LLI080707B.IES**

DESCRIPTION INFORMATION (From Photometric File)

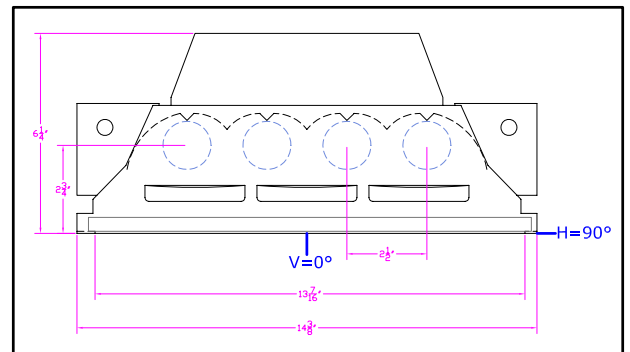
IESNA:LM-63-2002
[TEST] LLI 0807-07B
[TESTLAB] LIGHT LABORATORY INC
[ISSUEDATE] 8/15/2007
[MANUFAC] KINO FLO, INC.
[LUMCAT] IMAGE 45 W/ BLACK LOUVER
[LUMINAIRE] 54.5"L. X 17"W. X 6.5"H. STUDIO FIXTURE
[MORE] SPECULAR REFLECTOR
[MORE] BLACK SQUARE LOUVERS
[BALLASTCAT] KINOFLO IMAGE 45 DMX
[BALLAST] 120V 50/60Hz ELECTRONIC
[LAMPPOSITION] 0,90
[LAMPCAT] KINO FLO F75/T12/HO/800
[OTHER] INDICATING THE CANDELA VALUES ARE ABSOLUTE AND
[MORE] SHOULD NOT BE FACTORED FOR DIFFERENT LAMP RATINGS.
[_LAMPLUM] 3290
[_INPUT] 120VAC, 284.6W

CHARACTERISTICS

| | |
|-----------------------------|----------------------------|
| Total Rated Lamp Lumens | N.A. (absolute photometry) |
| Total Luminaire Efficiency | N.A. |
| CIE Type | Direct |
| Spacing Criteria (0-180) | 0.98 |
| Spacing Criteria (90-270) | 0.90 |
| Spacing Criteria (Diagonal) | 0.98 |
| Basic Luminous Shape | Rectangular |
| Luminous Length (0-180) | 4.00 ft |
| Luminous Width (90-270) | 1.12 ft |
| Luminous Height | 0.00 ft |

LUMINANCE DATA (cd/sq.m)

| Angle In Degrees | Average 0-Deg | Average 45-Deg | Average 90-Deg |
|---------------------|------------------|-------------------|-------------------|
| 45 | 1779 | 1572 | 1643 |
| 55 | 590 | 711 | 586 |
| 65 | 153 | 256 | 540 |
| 75 | 46 | 510 | 788 |
| 85 | 83 | 1350 | 1900 |



**IES INDOOR REPORT
 PHOTOMETRIC FILENAME : LLI080707B.IES**

CANDELA TABULATION

| | <u>0</u> | <u>22.5</u> | <u>45</u> | <u>67.5</u> | <u>90</u> |
|------------|----------|-------------|-----------|-------------|-----------|
| 0 | 1873 | 1873 | 1873 | 1873 | 1873 |
| 5 | 1938 | 1926 | 1862 | 1789 | 1758 |
| 15 | 1678 | 1661 | 1594 | 1556 | 1544 |
| 25 | 1307 | 1261 | 1210 | 1176 | 1196 |
| 35 | 923 | 876 | 812 | 822 | 864 |
| 45 | 524 | 475 | 463 | 462 | 484 |
| 55 | 141 | 154 | 170 | 156 | 140 |
| 65 | 27 | 23 | 45 | 79 | 95 |
| 75 | 5 | 7 | 55 | 72 | 85 |
| 85 | 3 | 10 | 49 | 63 | 69 |
| 90 | 3 | 4 | 5 | 5 | 5 |
| 95 | 3 | 6 | 8 | 9 | 11 |
| 105 | 4 | 11 | 14 | 16 | 16 |
| 115 | 6 | 15 | 19 | 20 | 20 |
| 125 | 7 | 11 | 23 | 24 | 25 |
| 135 | 9 | 11 | 19 | 27 | 27 |
| 145 | 11 | 12 | 16 | 22 | 24 |
| 155 | 12 | 13 | 14 | 16 | 16 |
| 165 | 12 | 12 | 13 | 13 | 13 |
| 175 | 11 | 11 | 11 | 11 | 11 |
| 180 | 10 | 10 | 10 | 10 | 10 |

IES INDOOR REPORT
PHOTOMETRIC FILENAME : LLI080707B.IES

ZONAL LUMEN SUMMARY

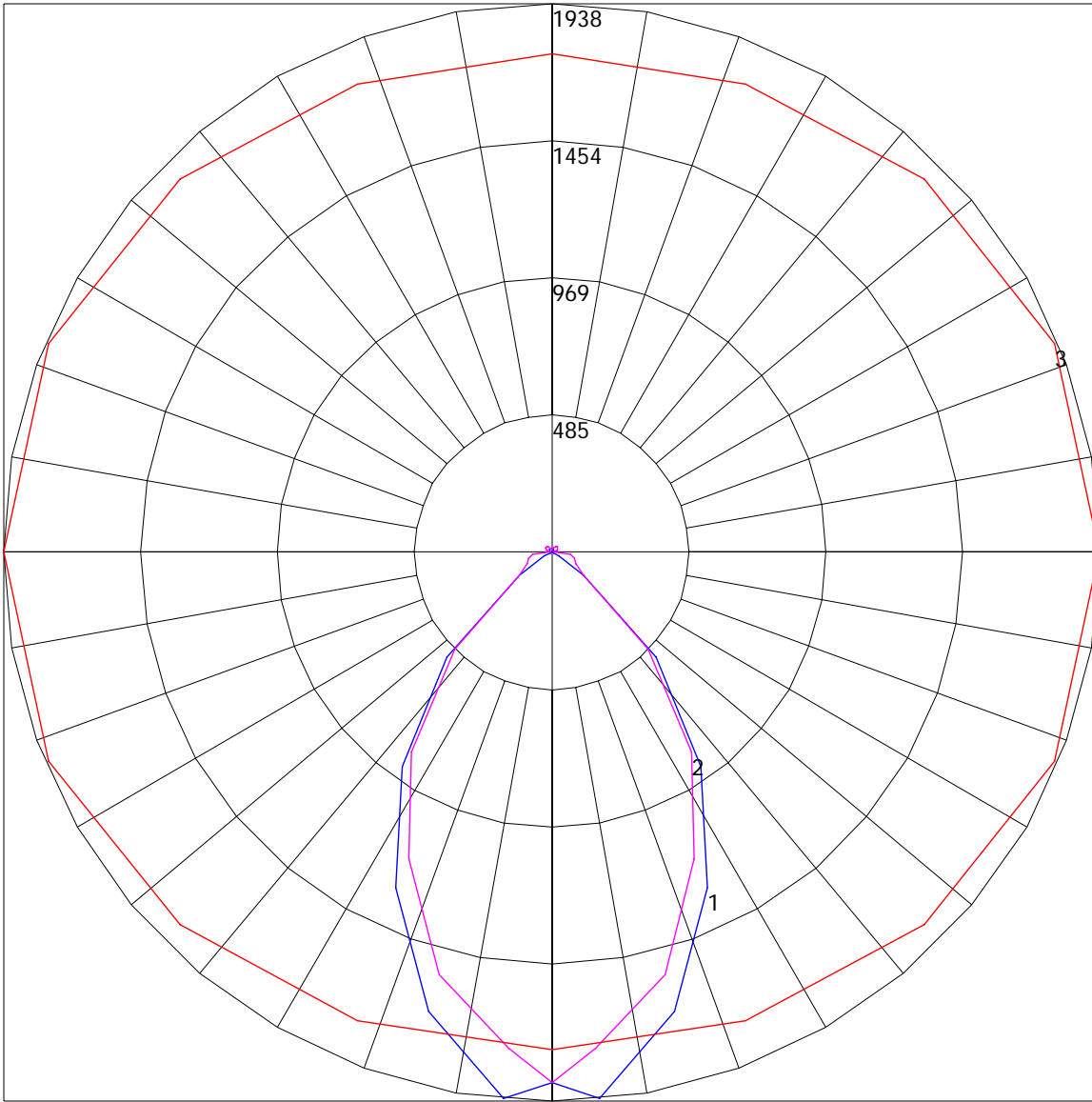
| Zone | Lumens | %Lamp | %Fixt |
|--------|---------|-------|-------|
| 0-30 | 903.84 | N.A. | 36.2 |
| 0-40 | 1472.13 | N.A. | 58.9 |
| 0-60 | 2203.94 | N.A. | 88.2 |
| 0-90 | 2409.44 | N.A. | 96.4 |
| 90-120 | 29.39 | N.A. | 1.2 |
| 90-130 | 46.1 | N.A. | 1.8 |
| 90-150 | 74.27 | N.A. | 1.8 |
| 90-180 | 90.32 | N.A. | 3.6 |
| 0-180 | 2499.77 | N.A. | 100 |

Total Luminaire Efficiency = N.A.%

ZONAL LUMEN SUMMARY

| Zone | Lumens |
|---------|--------|
| 0-10 | 44.58 |
| 10-20 | 329.19 |
| 20-30 | 530.07 |
| 30-40 | 568.29 |
| 40-50 | 467.06 |
| 50-60 | 264.76 |
| 60-70 | 98.23 |
| 70-80 | 49.79 |
| 80-90 | 57.48 |
| 90-100 | 3.29 |
| 100-110 | 10.92 |
| 110-120 | 15.18 |
| 120-130 | 16.72 |
| 130-140 | 15.63 |
| 140-150 | 12.54 |
| 150-160 | 8.52 |
| 160-170 | 5.03 |
| 170-180 | 2.5 |

POLAR GRAPH



Maximum Candela = 1938 Located At Horizontal Angle = 0, Vertical Angle = 5
1 - Vertical Plane Through Horizontal Angles (0 - 180) (Through Max. Cd.) : BLUE
2 - Vertical Plane Through Horizontal Angles (90 - 270) : MAGENTA
3 - Horizontal Cone Through Vertical Angle (5) (Through Max. Cd.) : RED