



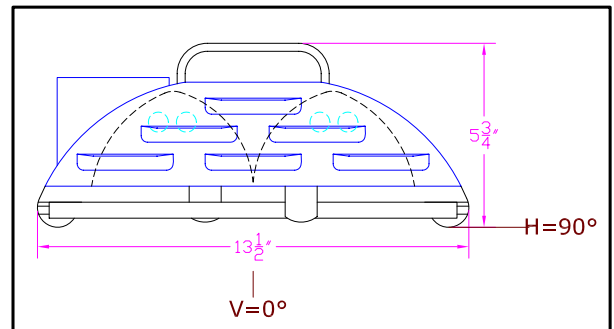
**IES INDOOR REPORT  
PHOTOMETRIC FILENAME : LLI030704E.IES**

**DESCRIPTION INFORMATION (From Photometric File)**

IESNA:LM-63-2002  
[TEST] LLI 0307-04E  
[TESTLAB] LIGHT LABORATORY INC  
[ISSUE DATE] 3/14/2007  
[MANUFAC] KINO FLO, INC.  
[LUMCAT] PARABEAM 200 w/ Honeycomb Louver 45°  
[LUMINAIRE] 24.5"L. X 13.5"W. X 7.5"H. STUDIO FIXTURE  
[MORE] SPECULAR REFLECTOR  
[MORE] 45 DEGREE SPOT HEXCEL LOUVERS  
[BALLASTCAT] SYLVANIA QT2X54/120PHO-DIM  
[BALLAST] 120V 60Hz ELECTRONIC  
[LAMPPOSITION] 180,90  
[LAMPCAT] KINO FLO TRUE MATCH 55C-K29  
[OTHER] INDICATING THE CANDELA VALUES ARE ABSOLUTE AND  
[MORE] SHOULD NOT BE FACTORED FOR DIFFERENT LAMP RATINGS.  
[\_LAMPLUM] 2800  
[\_INPUT] 120VAC, 107.52W

**CHARACTERISTICS**

Total Rated Lamp Lumens	N.A. (absolute photometry)
Total Luminaire Efficiency	N.A.
CIE Type	Direct
Spacing Criteria (0-180)	0.40
Spacing Criteria (90-270)	0.36
Spacing Criteria (Diagonal)	0.42
Basic Luminous Shape	Rectangular
Luminous Length (0-180)	1.88 ft
Luminous Width (90-270)	0.96 ft
Luminous Height	0.00 ft



**LUMINANCE DATA (cd/sq.m)**

Angle In Degrees	Average 0-Deg	Average 45-Deg	Average 90-Deg
45	135	84	51
55	177	52	21
65	268	56	14
75	529	23	23
85	410	68	68

IES INDOOR REPORT  
PHOTOMETRIC FILENAME : LLI030704E.IES

CANDELA TABULATION

	<u>0</u>	<u>22.5</u>	<u>45</u>	<u>67.5</u>	<u>90</u>
<b>0</b>	2526	2526	2526	2526	2526
<b>5</b>	2040	2052	2060	2040	2035
<b>15</b>	817	784	778	684	630
<b>25</b>	79	86	76	73	94
<b>35</b>	31	29	27	24	18
<b>45</b>	16	10	10	9	6
<b>55</b>	17	8	5	3	2
<b>65</b>	19	9	4	2	1
<b>75</b>	23	8	1	1	1
<b>85</b>	6	1	1	1	1
<b>90</b>	1	2	1	1	1
<b>95</b>	0	0	0	0	0
<b>105</b>	0	0	0	0	0
<b>115</b>	0	0	0	0	0
<b>125</b>	0	0	0	0	0
<b>135</b>	0	0	0	0	0
<b>145</b>	0	0	0	0	0
<b>155</b>	0	0	0	0	0
<b>165</b>	0	0	0	0	0
<b>175</b>	0	0	0	0	0
<b>180</b>	0	0	0	0	0

**IES INDOOR REPORT**  
**PHOTOMETRIC FILENAME : LLI030704E.IES**

**ZONAL LUMEN SUMMARY**

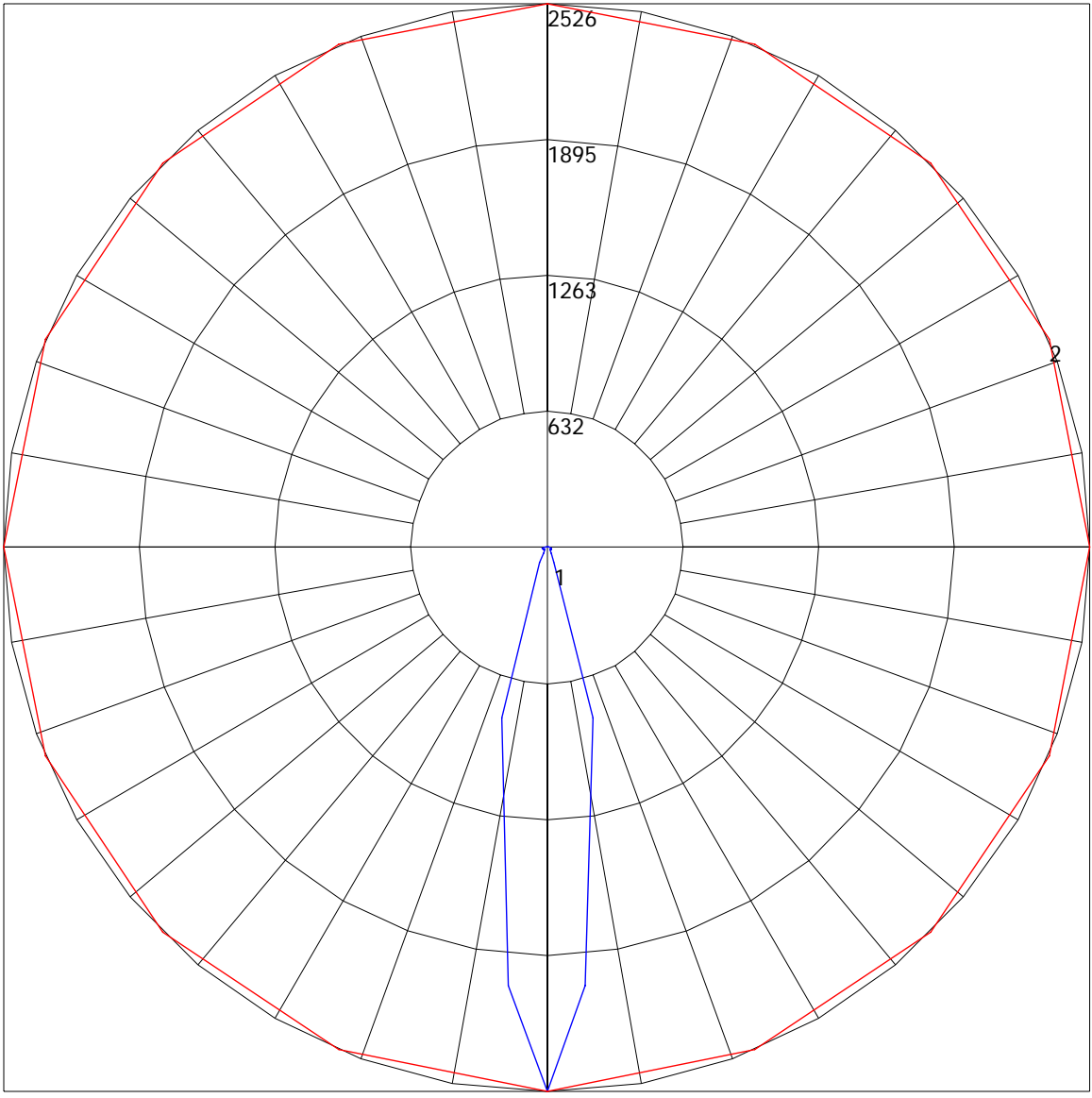
Zone	Lumens	%Lamp	%Fixt
0-30	474.06	N.A.	87.8
0-40	503.22	N.A.	93.2
0-60	522.8	N.A.	96.8
0-90	539.46	N.A.	99.9
90-120	.34	N.A.	.1
90-130	.34	N.A.	.1
90-150	.34	N.A.	.1
90-180	.34	N.A.	.1
0-180	539.81	N.A.	100

Total Luminaire Efficiency = N.A.%

**ZONAL LUMEN SUMMARY**

Zone	Lumens
0-10	54.67
10-20	265.28
20-30	154.1
30-40	29.16
40-50	12.72
50-60	6.87
60-70	5.99
70-80	6.05
80-90	4.63
90-100	.34
100-110	0
110-120	0
120-130	0
130-140	0
140-150	0
150-160	0
160-170	0
170-180	0

POLAR GRAPH



Maximum Candela = 2526 Located At Horizontal Angle = 0, Vertical Angle = 0  
# 1 - Vertical Plane Through Horizontal Angles (0 - 180) (Through Max. Cd.) : BLUE  
# 2 - Horizontal Cone Through Vertical Angle (0) (Through Max. Cd.) : RED