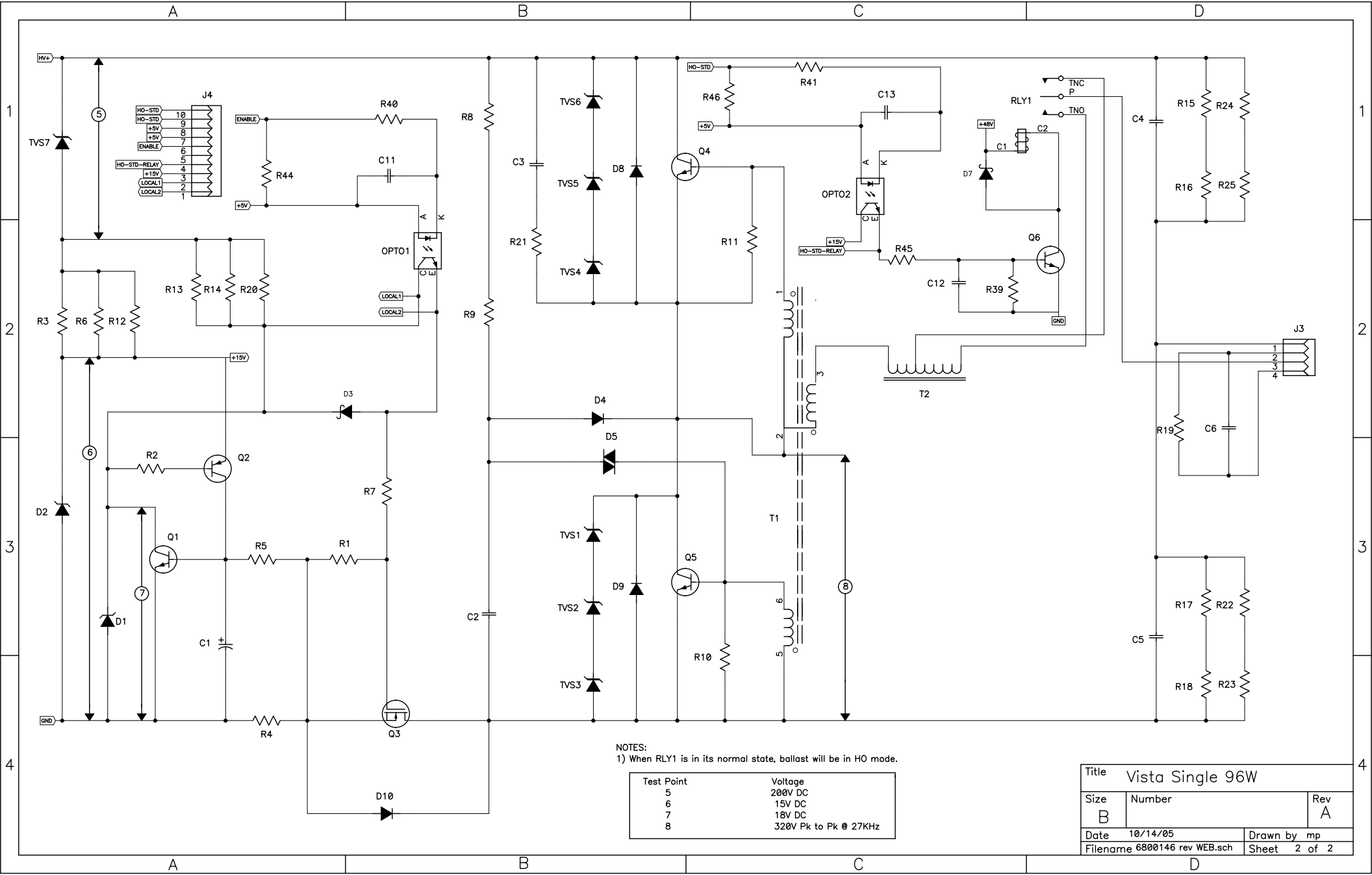


Test Point	Voltage
1	120V RMS
2	230V RMS
3	320V DC
4	48V DC

Title Vista Single 96W		
Size B	Number	Rev A
Date 10/14/05	Drawn by mp	
Filename 6800146 rev WEB.sch		Sheet 1 of 1



NOTES:
 1) When RLY1 is in its normal state, ballast will be in HO mode.

Test Point	Voltage
5	200V DC
6	15V DC
7	18V DC
8	320V Pk to Pk @ 27KHz

Title Vista Single 96W		Rev A
Size B	Number	Rev A
Date 10/14/05	Drawn by mp	
Filename 6800146 rev WEB.sch		Sheet 2 of 2