

Photometric Test Report

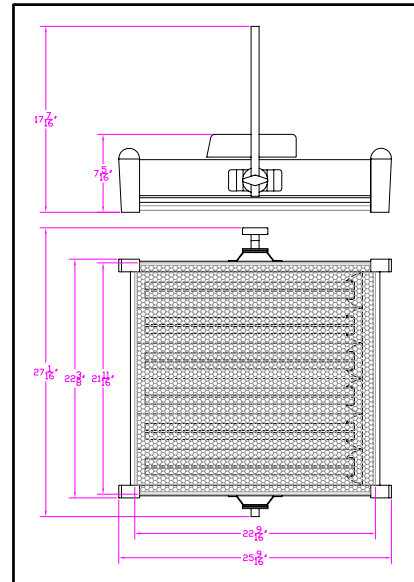
IES INDOOR REPORT
PHOTOMETRIC FILENAME : L01120105.IES

DESCRIPTION INFORMATION (From Photometric File)

IESNA:LM-63-2002
[TEST] L01120105
[TESTLAB] LIGHT LABORATORY, INC.
[ISSUEDATE] 1/12/2011
[MANUFAC] KINOFLO
[LUMCAT] **IMARA S6 60 DEGREE**
[LUMINAIRE] 25-9/16"L. X 22-9/16"W. X 7-5/16"H. IMARA S6 FIXTURE
[MORE] SIX 55W COMPACT FLUORESCENT LAMPS, SPECULAR REFLECTOR
[MORE] WITH 60 DEGREE LOUVER
[BALLASTCAT] N.A
[BALLAST] 120V 60Hz ELECTRONIC
[LAMPPOSITION] 90,180
[LAMPCAT] **KINOFLO TRUE MATCH 55C-K55**
[OTHER] INDICATING THE CANDELA VALUES ARE ABSOLUTE AND
[MORE] SHOULD NOT BE FACTORED FOR DIFFERENT LAMP RATINGS.
[_INPUT] 120VAC, 309.56W

CHARACTERISTICS

Lumens Per Lamp	N.A. (absolute)
Total Lamp Lumens	N.A. (absolute)
Luminaire Lumens	1226
Total Luminaire Efficiency	N.A.
Luminaire Efficacy Rating (LER)	4
Total Luminaire Watts	309.56
Ballast Factor	1.00
CIE Type	Direct
Spacing Criterion (0-180)	0.46
Spacing Criterion (90-270)	0.52
Spacing Criterion (Diagonal)	0.52
Basic Luminous Shape	Rectangular
Luminous Length (0-180)	1.88 ft
Luminous Width (90-270)	1.81 ft
Luminous Height	0.00 ft



IES INDOOR REPORT
PHOTOMETRIC FILENAME : L01120105.IES

LUMINANCE DATA (cd/sq.m)

Angle In Degrees	Average 0-Deg	Average 45-Deg	Average 90-Deg
45	237	206	98
55	193	143	83
65	344	105	90
75	574	147	134
85	435	399	399

IES INDOOR REPORT
PHOTOMETRIC FILENAME : L01120105.IES

CANDELA TABULATION

	<u>0.0</u>	<u>22.5</u>	<u>45.0</u>	<u>67.5</u>	<u>90.0</u>
0	3644	3644	3644	3644	3644
5	3033	3074	3145	3178	3184
10	2296	2348	2486	2552	2576
15	1594	1633	1811	1905	1918
20	953	961	1104	1267	1274
25	424	426	501	690	730
30	176	179	179	217	338
35	113	115	111	84	105
40	74	76	70	52	33
45	53	53	46	33	22
50	42	40	34	23	19
55	35	33	26	17	15
60	41	31	18	15	14
65	46	33	14	13	12
70	53	28	13	12	12
75	47	13	12	11	11
80	38	12	12	11	11
85	12	12	11	11	11
90	20	16	13	13	14

IES INDOOR REPORT
PHOTOMETRIC FILENAME : L01120105.IES

ZONAL LUMEN SUMMARY

Zone	Lumens	%Lamp	%Fixt
0-30	1039.45	N.A.	84.80
0-40	1113.47	N.A.	90.80
0-60	1171.51	N.A.	95.60
0-90	1225.97	N.A.	100.00
90-120	0.00	N.A.	0.00
90-130	0.00	N.A.	0.00
90-150	0.00	N.A.	0.00
90-180	0.00	N.A.	0.00
0-180	1225.97	N.A.	100.00

Total Luminaire Efficiency = N.A.%

ZONAL LUMEN SUMMARY

Zone	Lumens
0-10	280.62
10-20	489.01
20-30	269.83
30-40	74.02
40-50	34.49
50-60	23.54
60-70	22.02
70-80	18.16
80-90	14.29
90-100	0.00
100-110	0.00
110-120	0.00
120-130	0.00
130-140	0.00
140-150	0.00
150-160	0.00
160-170	0.00
170-180	0.00

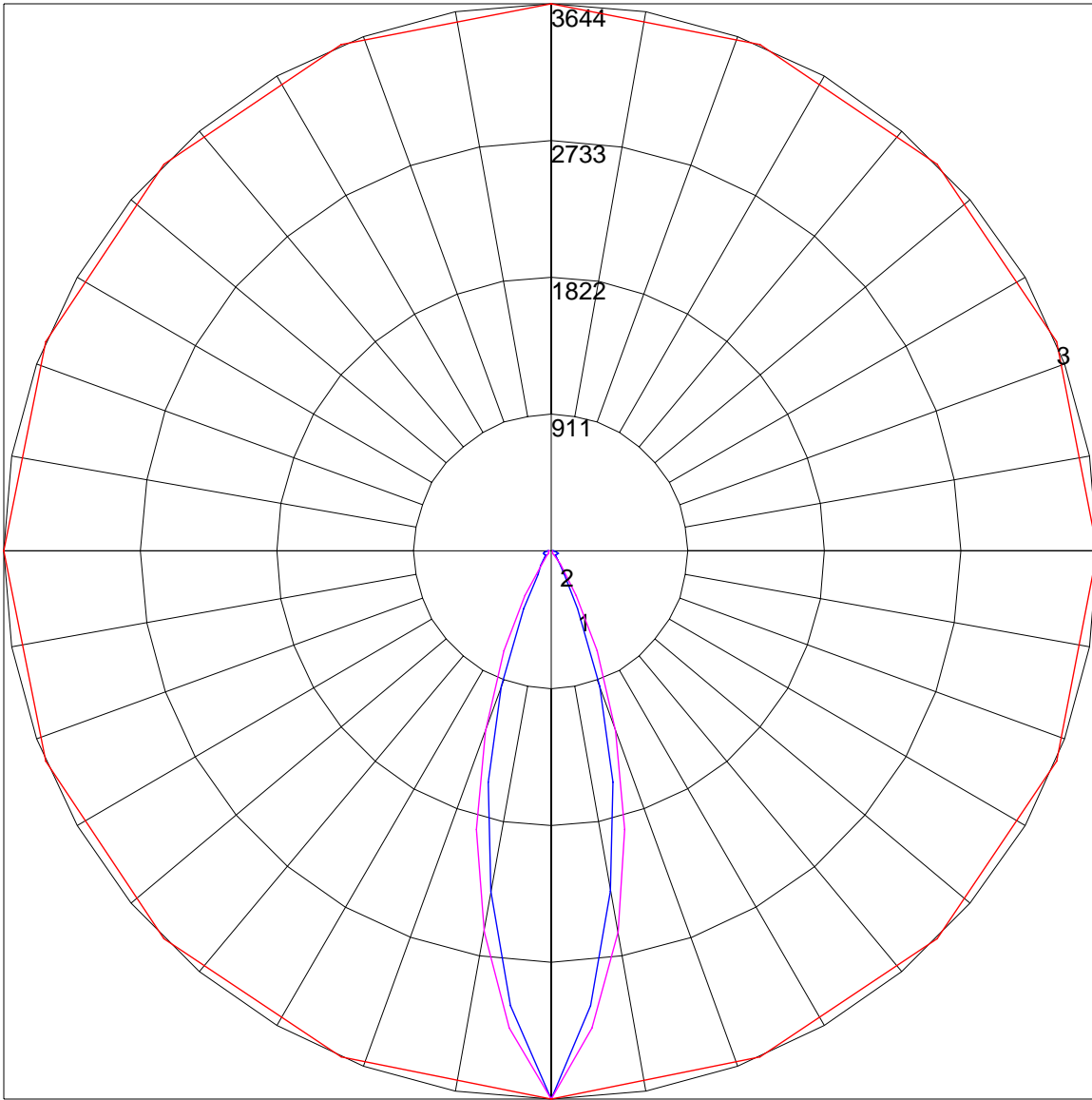
IES INDOOR REPORT
PHOTOMETRIC FILENAME : L01120105.IES

COEFFICIENTS OF UTILIZATION - ZONAL CAVITY METHOD

Effective Floor Cavity Reflectance 0.20

RC	80				70				50			30			10			0	
	RW	70	50	30	10	70	50	30	10	50	30	10	50	30	10	50	30	10	0
0	119	119	119	119	119	116	116	116	116	111	111	111	106	106	106	102	102	102	100
1	113	111	108	106	106	111	109	106	104	104	103	101	101	99	98	97	96	95	93
2	108	104	100	97	97	106	102	99	96	99	96	94	96	94	92	93	91	90	88
3	104	98	93	90	90	102	97	92	89	94	91	88	92	89	86	89	87	85	83
4	100	93	88	84	84	98	92	87	84	90	86	83	88	84	82	86	83	81	79
5	96	88	83	79	79	94	88	83	79	86	82	78	84	81	78	83	80	77	76
6	92	84	79	75	75	91	84	79	75	82	78	75	81	77	74	80	76	74	72
7	89	81	76	72	72	88	80	75	72	79	75	71	78	74	71	77	73	71	70
8	86	78	72	69	69	85	77	72	69	76	72	69	75	71	68	74	71	68	67
9	83	75	70	66	66	82	74	69	66	73	69	66	72	68	66	72	68	65	64
10	80	72	67	64	64	79	71	67	64	71	66	63	70	66	63	69	66	63	62

POLAR GRAPH



Maximum Candela = 3644 Located At Horizontal Angle = 0, Vertical Angle = 0
1 - Vertical Plane Through Horizontal Angles (0 - 180) (Through Max. Cd.) : BLUE
2 - Vertical Plane Through Horizontal Angles (90 - 270) : MAGENTA
3 - Horizontal Cone Through Vertical Angle (0) (Through Max. Cd.) : RED