



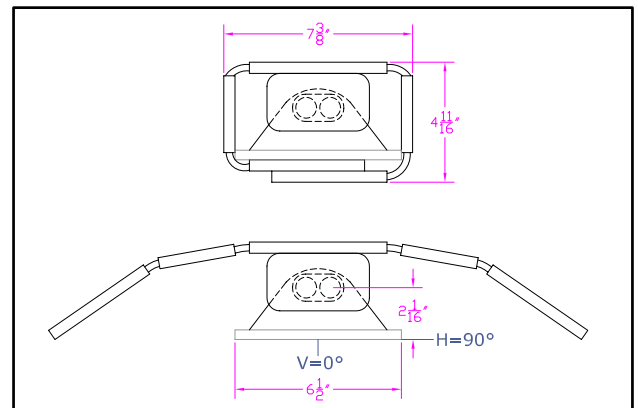
**IES INDOOR REPORT
PHOTOMETRIC FILENAME : LLI100721C.IES**

DESCRIPTION INFORMATION (From Photometric File)

IESNA:LM-63-2002
[TEST] LLI 1007-21C
[TESTLAB] LIGHT LABORATORY INC
[ISSUEDATE] 10/31/2007
[MANUFAC] KINO FLO, INC.
[LUMCAT] VISTABEAM 100/60 DEGREE
[LUMINAIRE] 38-1/4"L. X 7-3/8"W. X 4-11/16"H. STUDIO FIXTURE
[MORE] SEMI-SPECULAR REFLECTOR
[MORE] 60 DEGREE SPOT HEXCEL LOUVERS
[BALLASTCAT] KINOFLO BAL-125
[BALLAST] 120V 50/60Hz ELECTRONIC
[LAMPPOSITION] 180,90
[LAMPCAT] KINO FLO TRUE MATCH 964-K29
[OTHER] INDICATING THE CANDELA VALUES ARE ABSOLUTE AND
[MORE] SHOULD NOT BE FACTORED FOR DIFFERENT LAMP RATINGS.
[_LAMPLUM] 5100
[_INPUT] 120VAC, 93.7W

CHARACTERISTICS

Total Rated Lamp Lumens	N.A. (absolute photometry)
Total Luminaire Efficiency	N.A.
CIE Type	Direct
Spacing Criteria (0-180)	0.48
Spacing Criteria (90-270)	0.46
Spacing Criteria (Diagonal)	0.54
Basic Luminous Shape	Rectangular
Luminous Length (0-180)	2.98 ft
Luminous Width (90-270)	0.54 ft
Luminous Height	0.00 ft



LUMINANCE DATA (cd/sq.m)

Angle In Degrees	Average 0-Deg	Average 45-Deg	Average 90-Deg
45	170	161	76
55	221	93	35
65	443	127	32
75	1033	284	26
85	2990	537	77

IES INDOOR REPORT
PHOTOMETRIC FILENAME : LLI100721C.IES

CANDELA TABULATION

	<u>0</u>	<u>22.5</u>	<u>45</u>	<u>67.5</u>	<u>90</u>
0	1836	1836	1836	1836	1836
5	1607	1619	1626	1604	1588
15	863	882	914	861	829
25	264	246	247	274	274
35	41	42	40	35	47
45	18	18	17	13	8
55	19	12	8	5	3
65	28	15	8	3	2
75	40	26	11	3	1
85	39	20	7	2	1
90	15	11	6	2	1
95	0	0	0	0	0
105	0	0	0	0	0
115	0	0	0	0	0
125	0	0	0	0	0
135	0	0	0	0	0
145	0	0	0	0	0
155	0	0	0	0	0
165	0	0	0	0	0
175	0	0	0	0	0
180	0	0	0	0	0

IES INDOOR REPORT
PHOTOMETRIC FILENAME : LLI100721C.IES

ZONAL LUMEN SUMMARY

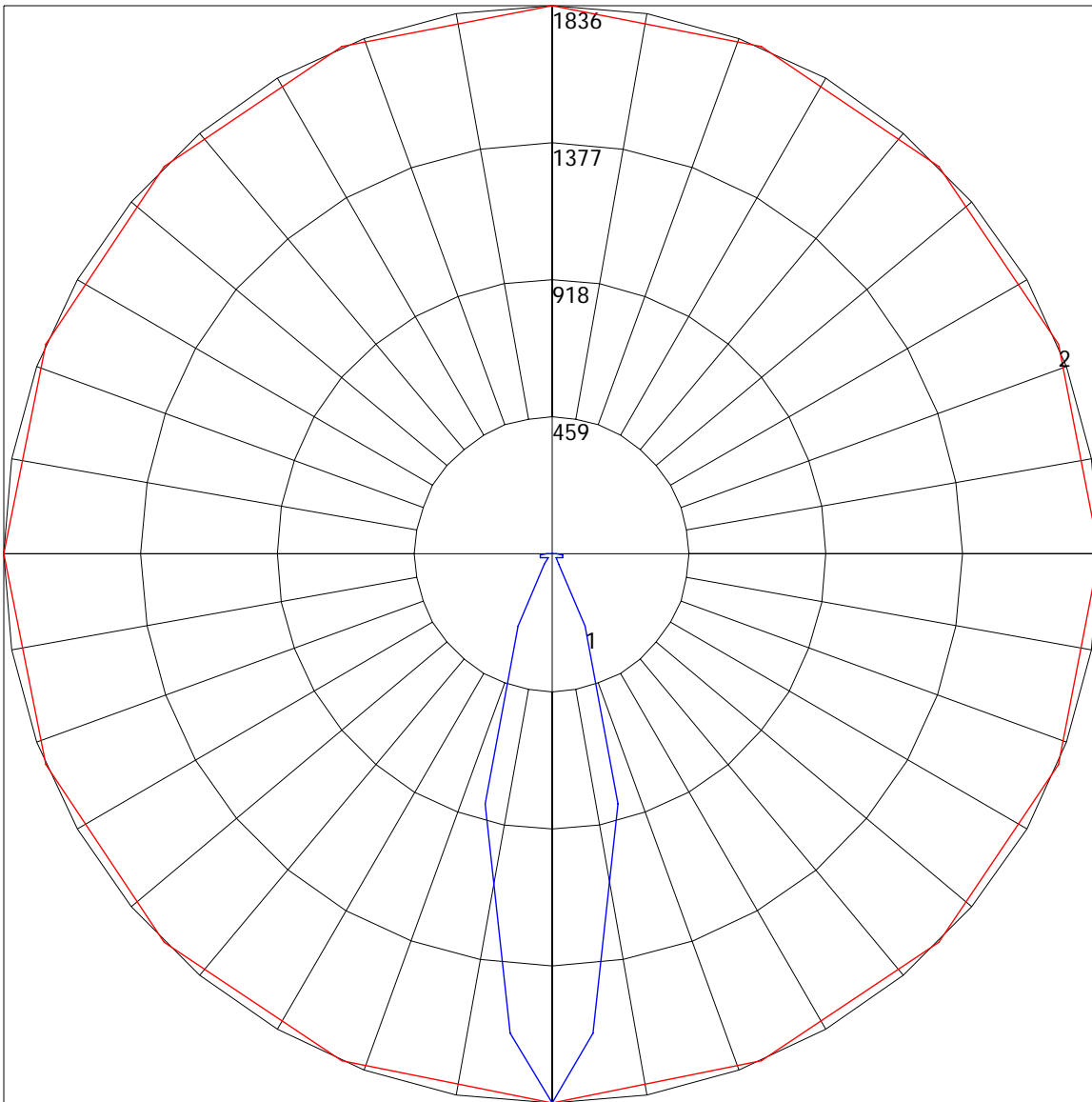
Zone	Lumens	%Lamp	%Fixt
0-30	490.28	N.A.	75.9
0-40	572.22	N.A.	88.6
0-60	601.93	N.A.	93.2
0-90	644.08	N.A.	99.7
90-120	1.85	N.A.	.3
90-130	1.85	N.A.	.3
90-150	1.85	N.A.	.3
90-180	1.85	N.A.	.3
0-180	645.93	N.A.	100

Total Luminaire Efficiency = N.A.%

ZONAL LUMEN SUMMARY

Zone	Lumens
0-10	41.22
10-20	236.53
20-30	212.53
30-40	81.94
40-50	19.54
50-60	10.17
60-70	9.13
70-80	13.06
80-90	19.97
90-100	1.85
100-110	0
110-120	0
120-130	0
130-140	0
140-150	0
150-160	0
160-170	0
170-180	0

POLAR GRAPH



Maximum Candela = 1836 Located At Horizontal Angle = 0, Vertical Angle = 0
1 - Vertical Plane Through Horizontal Angles (0 - 180) (Through Max. Cd.)
2 - Horizontal Cone Through Vertical Angle (0) (Through Max. Cd.)