



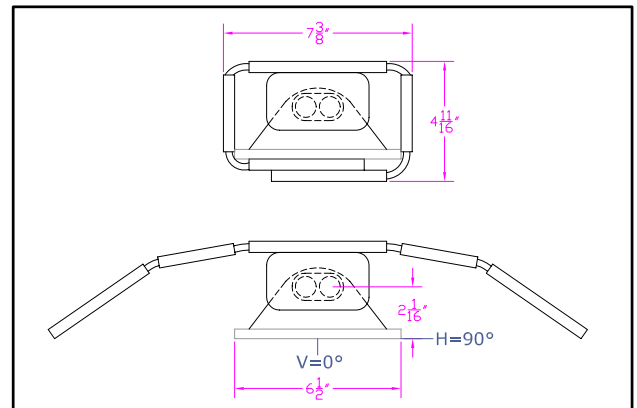
**IES INDOOR REPORT  
PHOTOMETRIC FILENAME : LLI100721B.IES**

**DESCRIPTION INFORMATION (From Photometric File)**

IESNA:LM-63-2002  
[TEST] LLI 1007-21B  
[TESTLAB] LIGHT LABORATORY INC  
[ISSUE DATE] 10/31/2007  
[MANUFAC] KINO FLO, INC.  
[LUMCAT] VISTABEAM 100/90 DEGREE  
[LUMINAIRE] 38-1/4"L. X 7-3/8"W. X 4-11/16"H. STUDIO FIXTURE  
[MORE] SEMI-SPECULAR REFLECTOR  
[MORE] 90 DEGREE SPOT HEXCEL LOUVERS  
[BALLASTCAT] KINOFLO BAL-125  
[BALLAST] 120V 50/60Hz ELECTRONIC  
[LAMPPOSITION] 180,90  
[LAMPCAT] KINO FLO TRUE MATCH 964-K29  
[OTHER] INDICATING THE CANDELA VALUES ARE ABSOLUTE AND  
[MORE] SHOULD NOT BE FACTORED FOR DIFFERENT LAMP RATINGS.  
[\_LAMPLUM] 5100  
[\_INPUT] 120VAC, 93.7W

**CHARACTERISTICS**

Total Rated Lamp Lumens	N.A. (absolute photometry)
Total Luminaire Efficiency	N.A.
CIE Type	Direct
Spacing Criteria (0-180)	0.70
Spacing Criteria (90-270)	0.58
Spacing Criteria (Diagonal)	0.70
Basic Luminous Shape	Rectangular
Luminous Length (0-180)	2.98 ft
Luminous Width (90-270)	0.54 ft
Luminous Height	0.00 ft



**LUMINANCE DATA (cd/sq.m)**

Angle In Degrees	Average 0-Deg	Average 45-Deg	Average 90-Deg
45	548	435	595
55	303	175	151
65	522	158	79
75	1059	310	77
85	3067	537	153

IES INDOOR REPORT  
PHOTOMETRIC FILENAME : LLI100721B.IES

CANDELA TABULATION

	<u>0</u>	<u>22.5</u>	<u>45</u>	<u>67.5</u>	<u>90</u>
<b>0</b>	1898	1898	1898	1898	1898
<b>5</b>	1797	1802	1790	1750	1730
<b>15</b>	1312	1322	1282	1171	1133
<b>25</b>	814	793	690	620	585
<b>35</b>	385	328	274	274	250
<b>45</b>	58	58	46	51	63
<b>55</b>	26	20	15	14	13
<b>65</b>	33	21	10	7	5
<b>75</b>	41	27	12	5	3
<b>85</b>	40	20	7	3	2
<b>90</b>	16	13	6	2	1
<b>95</b>	0	0	0	0	0
<b>105</b>	0	0	0	0	0
<b>115</b>	0	0	0	0	0
<b>125</b>	0	0	0	0	0
<b>135</b>	0	0	0	0	0
<b>145</b>	0	0	0	0	0
<b>155</b>	0	0	0	0	0
<b>165</b>	0	0	0	0	0
<b>175</b>	0	0	0	0	0
<b>180</b>	0	0	0	0	0

**IES INDOOR REPORT**  
**PHOTOMETRIC FILENAME : LLI100721B.IES**

**ZONAL LUMEN SUMMARY**

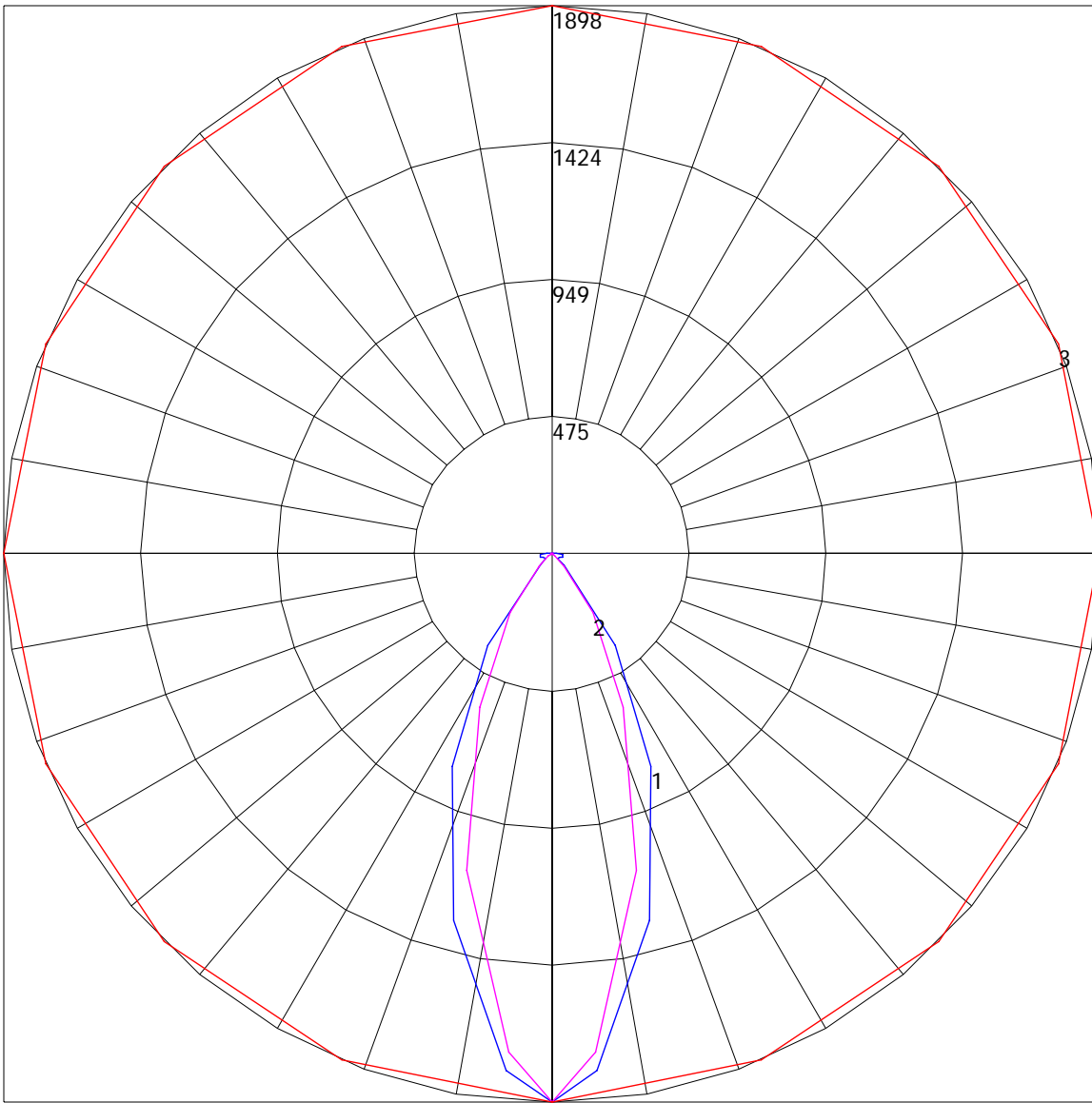
Zone	Lumens	%Lamp	%Fixt
0-30	696.88	N.A.	59.1
0-40	970.41	N.A.	82.4
0-60	1124.19	N.A.	95.4
0-90	1176.18	N.A.	99.8
90-120	2.02	N.A.	.2
90-130	2.02	N.A.	.2
90-150	2.02	N.A.	.2
90-180	2.02	N.A.	.2
0-180	1178.2	N.A.	100

Total Luminaire Efficiency = N.A.%

**ZONAL LUMEN SUMMARY**

Zone	Lumens
0-10	43.93
10-20	287.73
20-30	365.23
30-40	273.53
40-50	123.99
50-60	29.78
60-70	14.88
70-80	15.82
80-90	21.28
90-100	2.02
100-110	0
110-120	0
120-130	0
130-140	0
140-150	0
150-160	0
160-170	0
170-180	0

POLAR GRAPH



Maximum Candela = 1898 Located At Horizontal Angle = 0, Vertical Angle = 0  
# 1 - Vertical Plane Through Horizontal Angles (0 - 180) (Through Max. Cd.) : BLUE  
# 2 - Vertical Plane Through Horizontal Angles (90 - 270) : MAGENTA  
# 3 - Horizontal Cone Through Vertical Angle (0) (Through Max. Cd.) : RED