



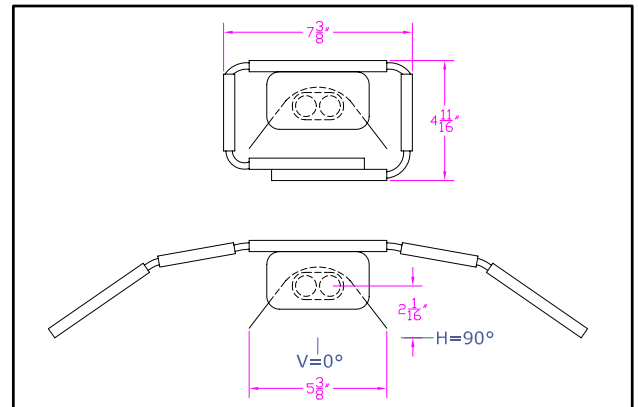
**IES INDOOR REPORT
PHOTOMETRIC FILENAME : LLI100721A.IES**

DESCRIPTION INFORMATION (From Photometric File)

IESNA:LM-63-2002
[TEST] LLI 1007-21A
[TESTLAB] LIGHT LABORATORY INC
[ISSUEDATE] 10/31/2007
[MANUFAC] KINO FLO, INC.
[LUMCAT] VISTABEAM 100/OPEN FACE
[LUMINAIRE] 38-1/4"L. X 7-3/8"W. X 4-11/16"H. STUDIO FIXTURE
[MORE] SEMI-SPECULAR REFLECTOR
[BALLASTCAT] KINOFLO BAL-125
[BALLAST] 120V 50/60Hz ELECTRONIC
[LAMPPOSITION] 180,90
[LAMPCAT] KINO FLO TRUE MATCH 964-K29
[OTHER] INDICATING THE CANDELA VALUES ARE ABSOLUTE AND
[MORE] SHOULD NOT BE FACTORED FOR DIFFERENT LAMP RATINGS.
[_LAMPLUM] 5100
[_INPUT] 120VAC, 98.5W

CHARACTERISTICS

| | |
|-----------------------------|----------------------------|
| Total Rated Lamp Lumens | N.A. (absolute photometry) |
| Total Luminaire Efficiency | N.A. |
| CIE Type | Direct |
| Spacing Criteria (0-180) | 1.28 |
| Spacing Criteria (90-270) | 0.86 |
| Spacing Criteria (Diagonal) | 1.10 |
| Basic Luminous Shape | Rectangular |
| Luminous Length (0-180) | 2.98 ft |
| Luminous Width (90-270) | 0.48 ft |
| Luminous Height | 0.00 ft |



LUMINANCE DATA (cd/sq.m)

| Angle In Degrees | Average 0-Deg | Average 45-Deg | Average 90-Deg |
|---------------------|------------------|-------------------|-------------------|
| 45 | 15736 | 9346 | 8367 |
| 55 | 14720 | 8218 | 6475 |
| 65 | 13128 | 5942 | 3327 |
| 75 | 10748 | 1917 | 378 |
| 85 | 6901 | 1035 | 518 |

IES INDOOR REPORT
PHOTOMETRIC FILENAME : LLI100721A.IES

CANDELA TABULATION

| | <u>0</u> | <u>22.5</u> | <u>45</u> | <u>67.5</u> | <u>90</u> |
|------------|----------|-------------|-----------|-------------|-----------|
| 0 | 2208 | 2208 | 2208 | 2208 | 2208 |
| 5 | 2256 | 2247 | 2217 | 2169 | 2146 |
| 15 | 2173 | 2135 | 2014 | 1845 | 1775 |
| 25 | 2008 | 1895 | 1568 | 1381 | 1317 |
| 35 | 1776 | 1529 | 1179 | 1047 | 1013 |
| 45 | 1480 | 1139 | 879 | 813 | 787 |
| 55 | 1123 | 764 | 627 | 534 | 494 |
| 65 | 738 | 468 | 334 | 221 | 187 |
| 75 | 370 | 201 | 66 | 22 | 13 |
| 85 | 80 | 30 | 12 | 7 | 6 |
| 90 | 23 | 19 | 10 | 6 | 5 |
| 95 | 0 | 0 | 0 | 0 | 0 |
| 105 | 0 | 0 | 0 | 0 | 0 |
| 115 | 0 | 0 | 0 | 0 | 0 |
| 125 | 0 | 0 | 0 | 0 | 0 |
| 135 | 0 | 0 | 0 | 0 | 0 |
| 145 | 0 | 0 | 0 | 0 | 0 |
| 155 | 0 | 0 | 0 | 0 | 0 |
| 165 | 0 | 0 | 0 | 0 | 0 |
| 175 | 0 | 0 | 0 | 0 | 0 |
| 180 | 0 | 0 | 0 | 0 | 0 |

IES INDOOR REPORT
PHOTOMETRIC FILENAME : LLI100721A.IES

ZONAL LUMEN SUMMARY

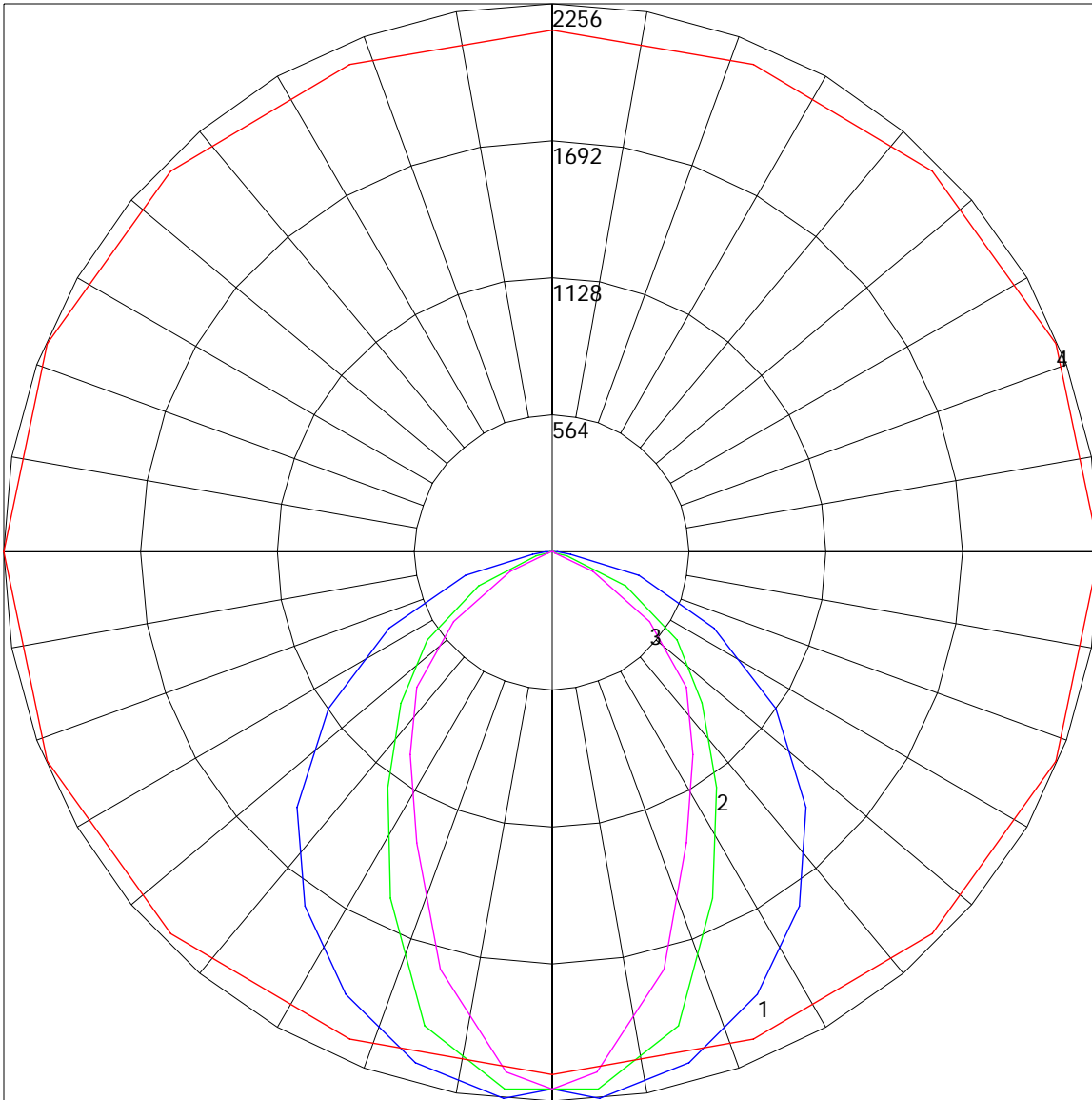
| Zone | Lumens | %Lamp | %Fixt |
|--------|---------|-------|-------|
| 0-30 | 1129.99 | N.A. | 26.4 |
| 0-40 | 1927.86 | N.A. | 45.1 |
| 0-60 | 3432.35 | N.A. | 80.3 |
| 0-90 | 4272.32 | N.A. | 99.9 |
| 90-120 | 3.35 | N.A. | .1 |
| 90-130 | 3.35 | N.A. | .1 |
| 90-150 | 3.35 | N.A. | .1 |
| 90-180 | 3.35 | N.A. | .1 |
| 0-180 | 4275.67 | N.A. | 100 |

Total Luminaire Efficiency = N.A.%

ZONAL LUMEN SUMMARY

| Zone | Lumens |
|---------|--------|
| 0-10 | 52.8 |
| 10-20 | 399.44 |
| 20-30 | 677.75 |
| 30-40 | 797.88 |
| 40-50 | 802.03 |
| 50-60 | 702.45 |
| 60-70 | 500.21 |
| 70-80 | 252.92 |
| 80-90 | 86.84 |
| 90-100 | 3.35 |
| 100-110 | 0 |
| 110-120 | 0 |
| 120-130 | 0 |
| 130-140 | 0 |
| 140-150 | 0 |
| 150-160 | 0 |
| 160-170 | 0 |
| 170-180 | 0 |

POLAR GRAPH



Maximum Candela = 2256 Located At Horizontal Angle = 0, Vertical Angle = 5
1 - Vertical Plane Through Horizontal Angles (0 - 180) (Through Max. Cd.) : BLUE
2 - Vertical Plane Through Horizontal Angles (45 - 225) : GREEN
3 - Vertical Plane Through Horizontal Angles (90 - 270) : MAGENTA
4 - Horizontal Cone Through Vertical Angle (5) (Through Max. Cd.) : RED